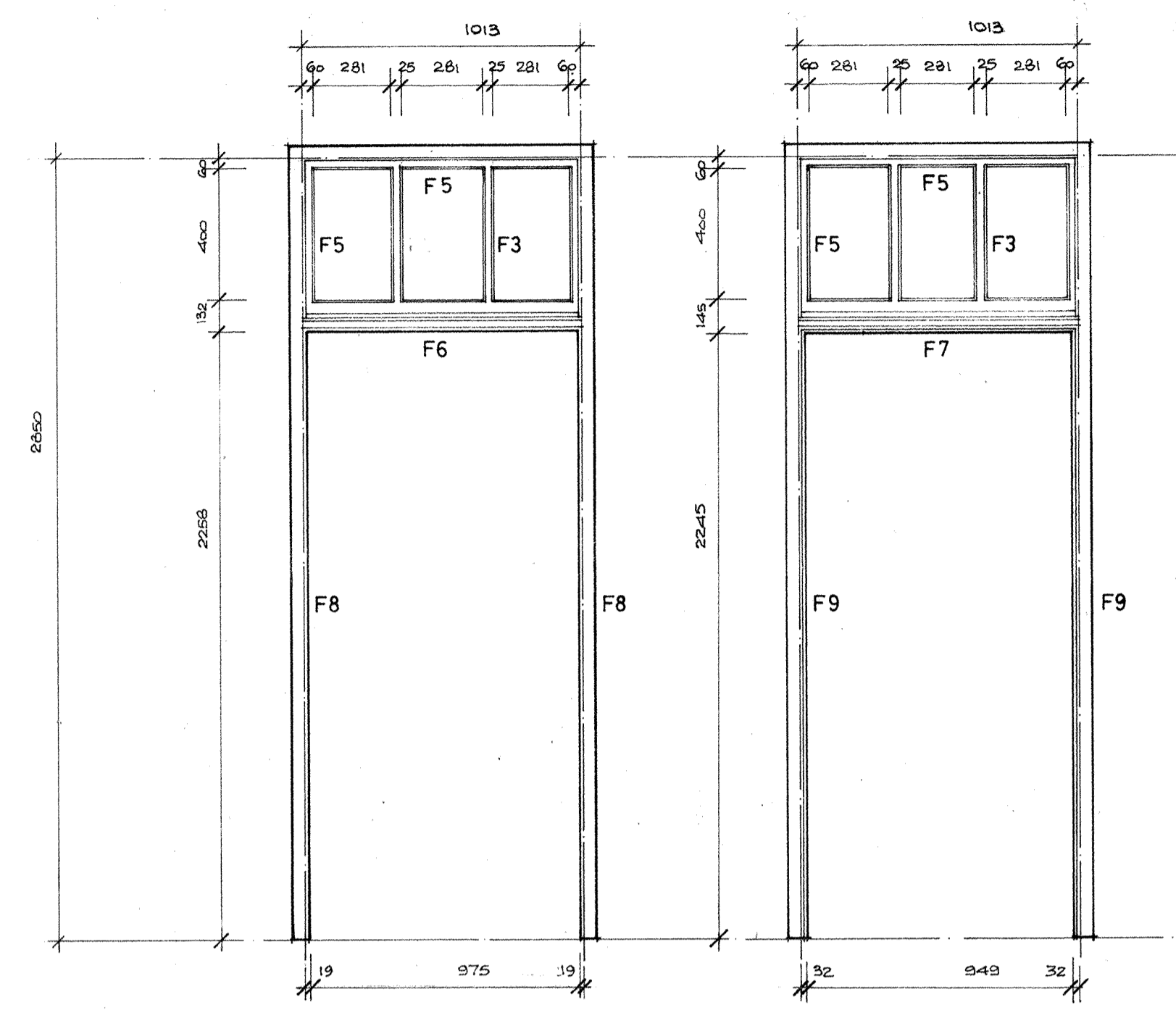
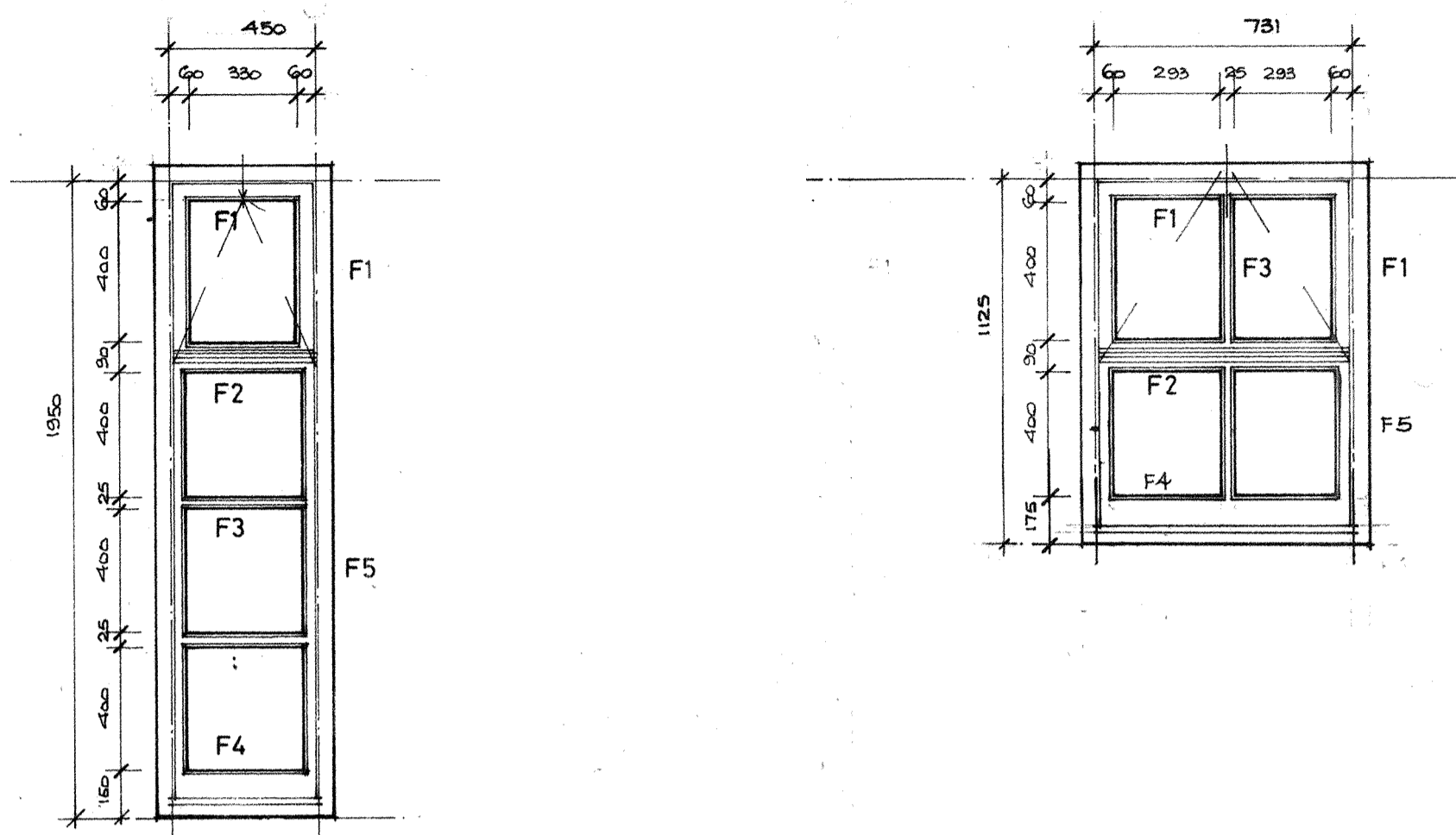


All o/a door/window openings shown to 'nominal' sizes.
 For 'actual' sizes add 10mm.



Door frame type A - 2 off
 (inward opening) - glazed
 fanlight - single door
 To door openings D3 and D11

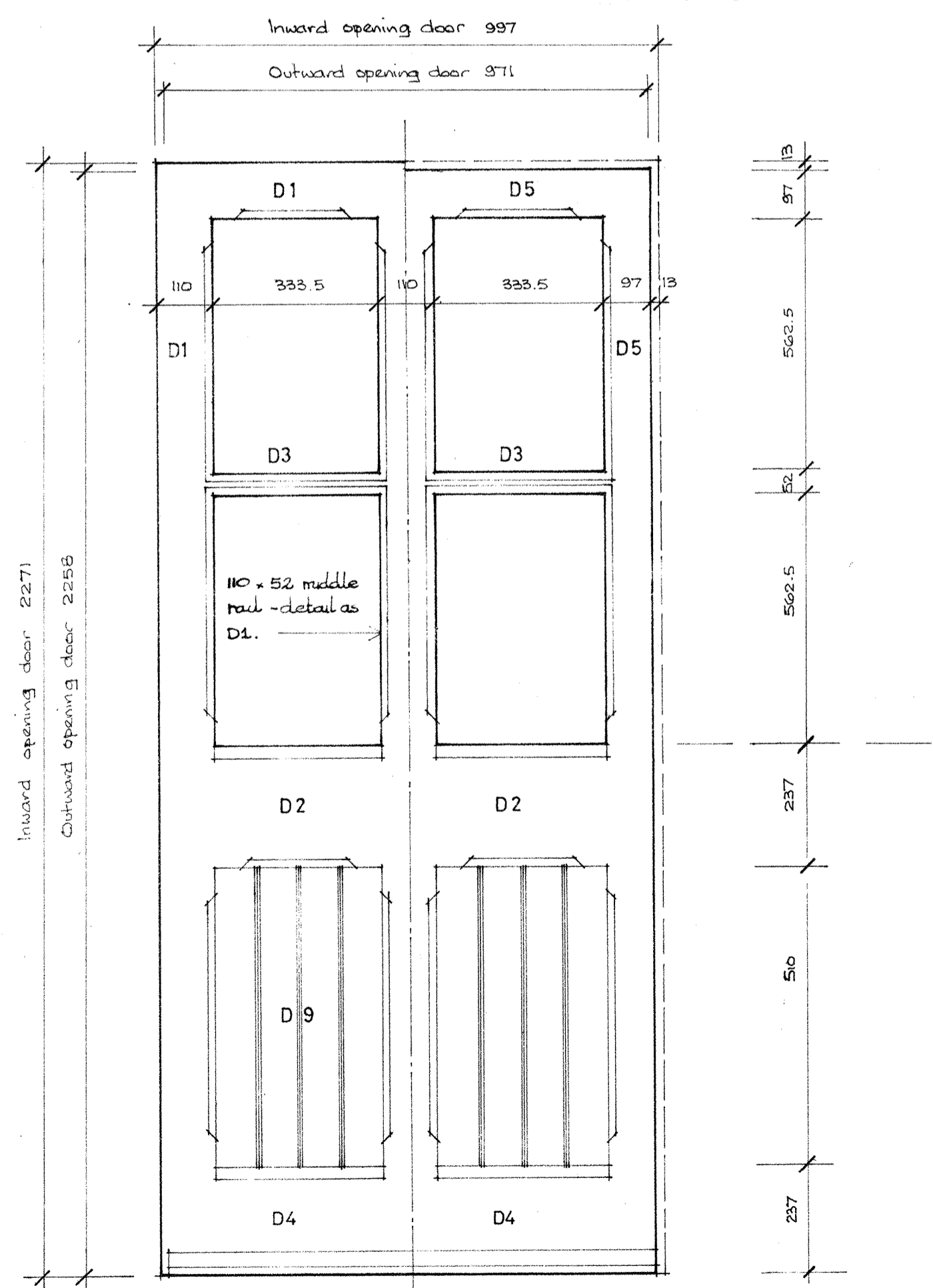
Door frame type B - 4 off
 (outward opening) - glazed
 fanlight - single door
 To door openings D10, D15,
 D16 and D18



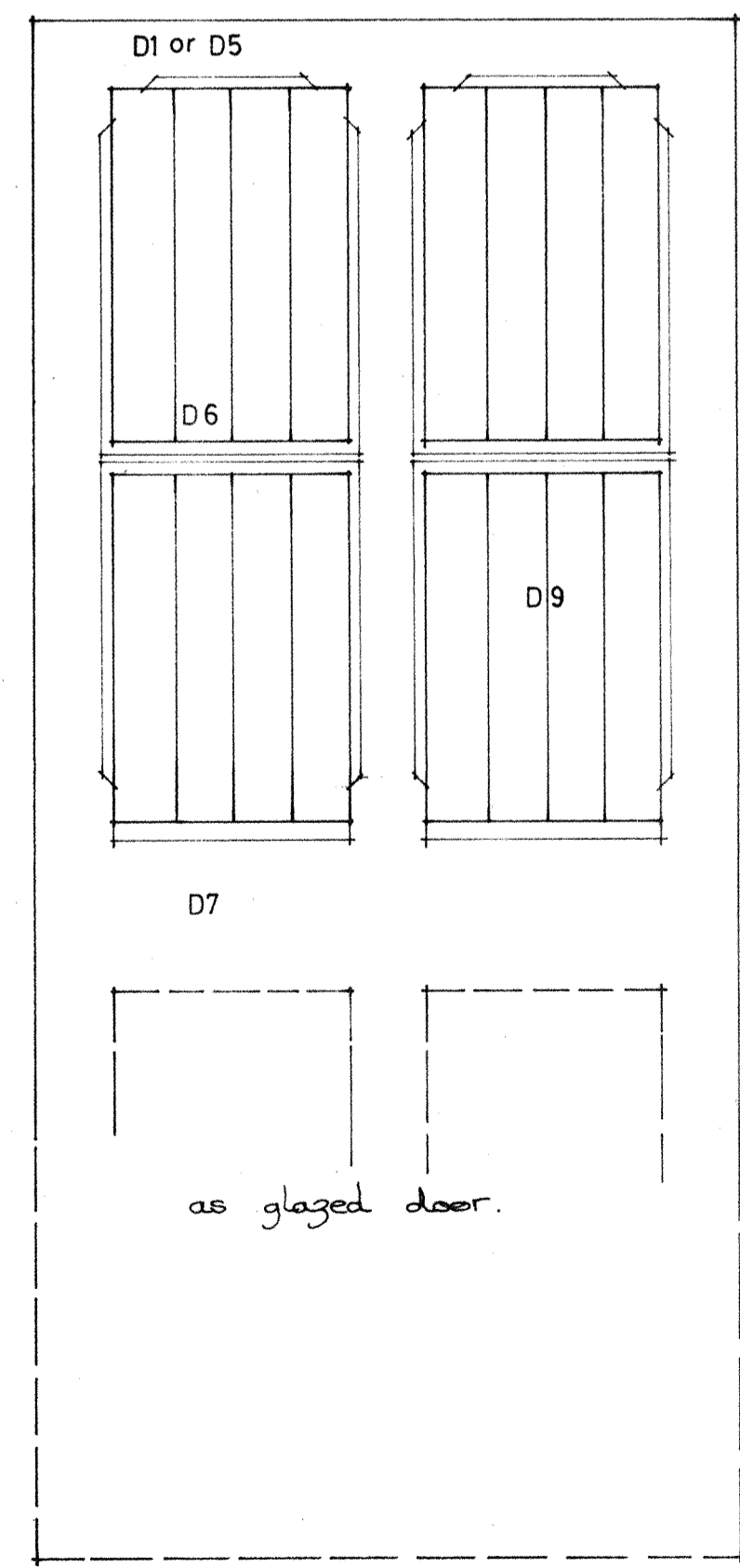
Window frame type A - 1 off
 900 mm high sill - top hung
 opening light.
 To window opening W5

Window frame type B - 2 off
 1725 mm high sill - top hung
 opening light
 To window openings W6
 and W7.

Window frame type C - 6 off
 1725 mm high sill - top hung
 opening light.
 To window openings W8, W1,
 W10, W11, W12, and W13.



Single glazed external door - E/A
 inward opening : 1 no off
 To door opening D3



Single boarded external door - E/B
 outward opening : 4 no off.
 To door openings D10, D15, D16 and D18.
 inward opening : 1 no. off
 To door opening D11

T2	Non applicable drawings omitted	09.08.16
T1	First stage tender.	15.4.16
Rev	Description	Date

Partner	Drawn	Date
CW	JEB	30.3.16

Project

SVR BRIDGNORTH

Title
 External door.
 Frame & window elevations

Drawing Reference
 Kidderminster 6A

Drawing No	Revision	Status
201	T2	

Scale
 1:20 @ A1 & 1:40 @ A3

OXFORDARCHITECTS
 Bagley Croft, Hinksey Hill, Oxford, OX1 5BS
 T. 01865 329100 F. 01865 328822 oxford-architects.com
 The Workshop, 254 Southmead Road, Bristol, BS10 5EN
 T. 0117 9581500 F. 0117 9581501 oxford-architects.com